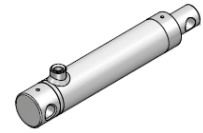
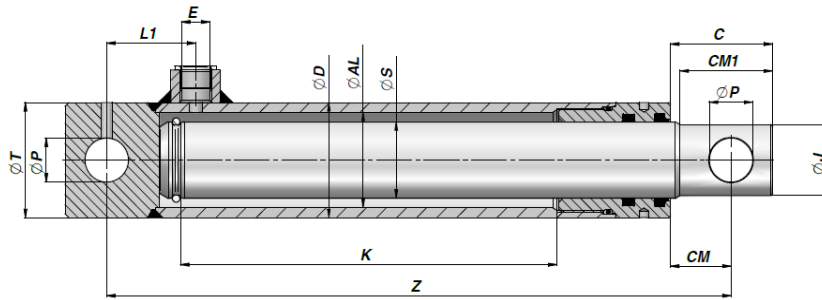


Product Specificaties	
Max werkdruk cilinder (Bar)	210
Max snelheid cilinder (m/s)	0,5
Temperatuur afdichtingen (°C)	-25 / +80

**HFRT**

## Enkelwerkende Cilinder



Artikelnummer	Ø D	Ø AL	Ø S	K Slag	Z	Kg	E BSP	L1	Ø P	CM	C	Ø J	CM1	Ø T
HFRT125100	40	30	25	100	190	1,64	3/8"	40	14,1	24	38	22	35	40
HFRT125150				150	240	2,05								
HFRT125200				200	290	2,46								
HFRT125250				250	340	2,87								
HFRT125300				300	390	3,28								
HFRT230200	50	40	30	200	300	3,64	3/8"	42	16,2	26	42	27	37	50
HFRT230250				250	350	4,19								
HFRT230300				300	400	4,74								
HFRT230350				350	450	5,30								
HFRT230400				400	500	5,85								
HFRT230550				550	650	7,52								
HFRT230700				700	800	9,18								
HFRT340200	60	50	40	200	330	6,08	3/8"	47	23,1	32	54	37	49	60
HFRT340250				250	380	6,91								
HFRT340300				300	430	7,75								
HFRT340350				350	480	8,58								
HFRT340400				400	530	9,41								
HFRT340550				550	680	11,90								
HFRT340700	700	830	14,40											
HFRT345200	60	50	45	200	330	6,73	3/8"	47	23,1	34	56	42	49	60
HFRT345250				250	380	7,69								
HFRT345300				300	430	8,66								
HFRT345350				350	480	9,62								
HFRT345400				400	530	10,58								
HFRT450300	70	60	50	300	460	11,40	3/8"	50	25,5	49	74	47	65	65
HFRT450400				400	560	13,74								
HFRT450550				550	710	17,25								
HFRT450700				700	860	20,77								
HFRT560200	80	70	60	200	360	12,26	3/8"	50	25,25	36	61	57	57	75
HFRT560300				250	410	15,40								
HFRT560400				300	460	18,53								
HFRT560550				350	510	23,24								
HFRT560700				400	560	27,95								
HFRT570300	92	80	70	300	509	22,66	3/8"	55	30,25	66	96	67	90	85
HFRT570400				400	609	26,94								
HFRT570500				500	709	31,23								