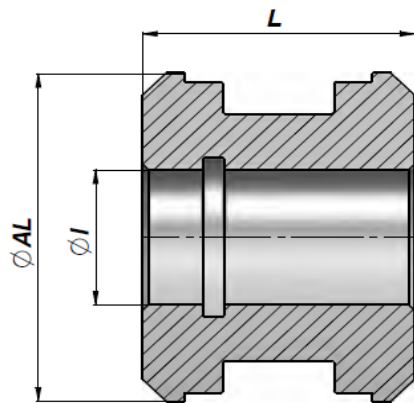
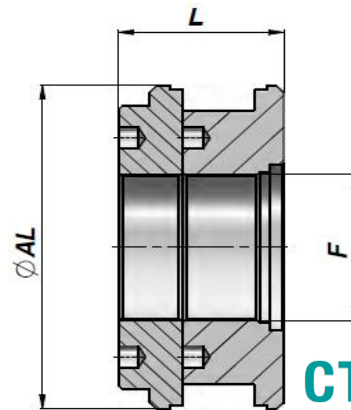


CT/CT30

Zuiger



CT



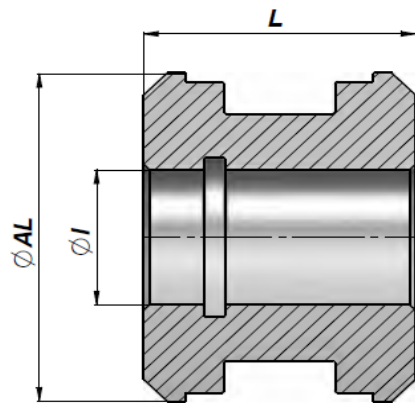
CT30

* = Aluminium

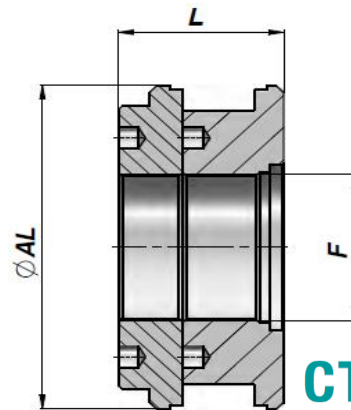
| Artikelnummer | Ø AL | Ø I-F | L | Kg |
|---------------|------|-------|------|------|
| CT | | | | |
| *CT00030013 | 30 | 13 | 24,7 | 0,02 |
| CT00032013 | 32 | 13 | 30 | 0,10 |
| CT00032015 | 32 | 15 | 30 | 0,09 |
| CT00035015 | 35 | 15 | 40 | 0,16 |
| CT00040015 | 40 | 15 | 40 | 0,23 |
| CT00045015 | 45 | 15 | 40 | 0,31 |
| CT00050015 | 50 | 15 | 40 | 0,36 |
| CT00050020 | 50 | 20 | 40 | 0,31 |
| CT00055020 | 55 | 20 | 40 | 0,42 |
| CT00060020 | 60 | 20 | 50 | 0,71 |
| CT00060024 | 60 | 24 | 45 | 0,56 |
| CT00060027 | 60 | 27 | 50 | 0,61 |
| CT00063020 | 63 | 20 | 50 | 0,81 |
| CT00063024 | 63 | 24 | 45 | 0,65 |
| CT00065020 | 65 | 20 | 50 | 0,88 |
| CT00065024 | 65 | 24 | 45 | 0,72 |
| CT00070020 | 70 | 20 | 50 | 0,94 |
| CT00070024 | 70 | 24 | 45 | 0,78 |
| CT00070027 | 70 | 27 | 50 | 0,83 |
| CT00075024 | 75 | 24 | 45 | 0,95 |
| CT00075027 | 75 | 27 | 50 | 1,00 |

CT/CT30

Zuiger



CT



CT30

* = Aluminium

| Artikelnummer | Ø AL | Ø I-F | L | Kg |
|---------------|------|-------|----|-------|
| CT00080024 | 80 | 24 | 45 | 1,11 |
| CT00080027 | 80 | 27 | 50 | 1,23 |
| CT00085024 | 85 | 24 | 45 | 1,30 |
| CT00085027 | 85 | 27 | 50 | 1,43 |
| CT00090027 | 90 | 27 | 50 | 1,66 |
| CT00090033 | 90 | 33 | 50 | 1,55 |
| CT00100027 | 100 | 27 | 50 | 2,06 |
| CT00100033 | 100 | 33 | 50 | 1,95 |
| CT00110033 | 110 | 33 | 50 | 2,49 |
| CT00110040 | 110 | 40 | 50 | 2,33 |
| CT00120040 | 120 | 40 | 50 | 2,95 |
| CT00125040 | 125 | 40 | 50 | 3,19 |
| CT00140040 | 140 | 40 | 58 | 5,07 |
| CT00150040 | 150 | 40 | 58 | 5,97 |
| CT00160051 | 160 | 51 | 58 | 6,60 |
| CT30 | | | | |
| CT11180080 | 180 | M80x2 | 82 | 9,80 |
| CT11200080 | 200 | M80x2 | 82 | 13,00 |
| CT11250080 | 250 | M98x2 | 82 | 21,70 |