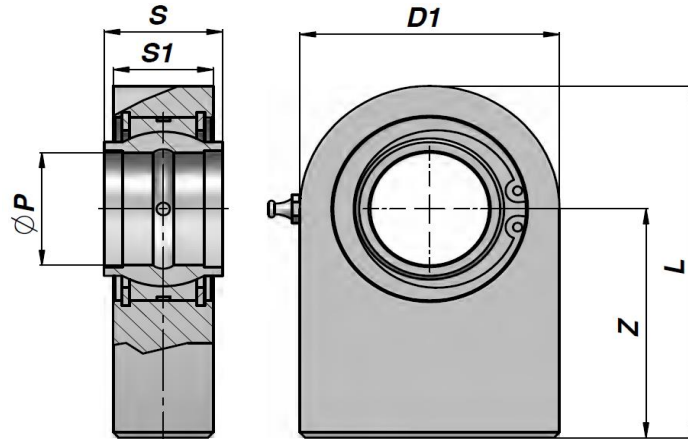


CSTS_N

Aanlas-gelenkkoog



Artikelnummer	ØP	Z	S	D1	S1	L	FC (kN)	Kg
CSTSCE720N	20	38	20	50	19	63,0	30,0	0,36
CSTSCE725N	25	45	25	55	23	72,5	48,0	0,54
CSTSCE732N	32	65	32	70	27	100,0	62,5	1,12
CSTSCE740N	40	69	40	100	35	119,0	100,0	2,50
CSTSCE750N	50	88	50	123	40	149,5	156,0	4,60
CSTSCE763N	63	107	63	145	50	178,0	248,0	9,30
CSTSCE770N	70	115	70	164	55	197,0	315,0	11,25
CSTSCE780N	80	141	80	180	60	231,0	400,0	15,75
CSTSCE790N	90	150	90	226	65	263,0	490,0	24,00
CSTSCE795N	100	170	100	250	70	295,0	610,0	33,95
CSTSCE796N	110	185	110	295	80	332,5	655,0	49,00
CSTSCE797N	125	210	125	360	90	390,0	950,0	81,00