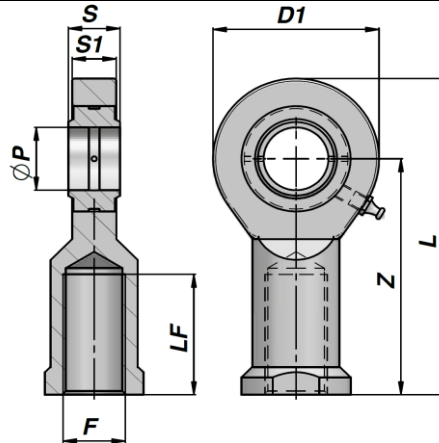


CSTFI DO

Schroef-oog



Artikelnummer	ØP	Z	S	D1	S1	L	F	LF	FC (kN)	Kg
CSTFI806DO	6	30	6	21	4,3	40,5	M6x1	11	3,4	0,02
CSTFI808DO	8	36	8	24	6	48,0	M8x1,25	15	5,5	0,04
CSTFI810DO	10	43	9	29	7	57,5	M10x1,5	20	8,1	0,06
CSTFI812DO	12	50	10	34	8	67,0	M12x1,75	24	10,8	0,09
CSTFI815DO	15	61	12	40	10	81,0	M14x2	30	17,0	0,18
CSTFI817DO	17	67	14	46	11	90,0	M16x2	34	21,2	0,22
CSTFI820DO	20	77	16	53	13	103,5	M20x1,5	40	30,0	0,35
CSTFI825DO	25	94	20	64	17	126,0	M24x2	48	48,0	0,64
CSTFI830DO	30	110	22	73	19	146,5	M30x2	56	62,0	0,93
CSTFI835DO	35	125	25	82	21	166,0	M36x3	60	80,0	1,30
CSTFI840DO	40	142	28	92	23	188,0	M39x3	67	100,0	2,01
CSTFI845DO	45	145	32	102	27	196,0	M42x3	65	127,0	2,50
CSTFI850DO	50	160	35	112	30	216,0	M45x3	69	156,0	3,50
CSTFI860DO	60	175	44	135	38	242,0	M52x3	73	245,0	5,50
CSTFI870DO	70	200	49	160	42	280,0	M56x4	80	315,0	8,60
CSTFI880DO	80	230	55	180	47	320,0	M64x4	85	400,0	12,00