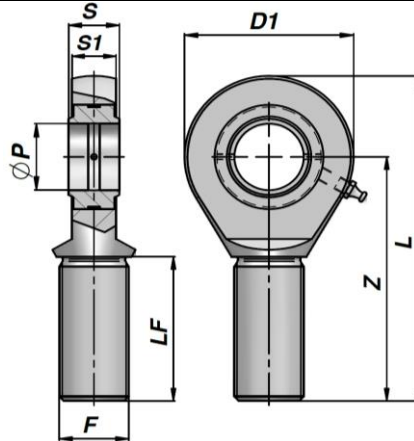


CSTFE DO

Schroef-oog



Artikelnummer	ØP	Z	S	D1	S1	L	F	LF	FC (kN)	Kg
CSTFE906DO	6	36	6	21	4,3	46,5	M6x1	18	3,4	0,01
CSTFE908DO	8	42	8	24	6	54,0	M8x1,25	22	5,5	0,03
CSTFE910DO	10	48	9	29	7	62,5	M10x1,5	27	8,1	0,05
CSTFE912DO	12	54	10	34	8	71,0	M12x1,75	30	10,8	0,08
CSTFE915DO	15	63	12	40	10	83,0	M14x2	34	17,0	0,14
CSTFE917DO	17	69	14	46	11	92,0	M16x2	36	21,2	0,19
CSTFE920DO	20	78	16	53	13	104,5	M20x1,5	43	30,0	0,31
CSTFE925DO	25	94	20	64	17	126,0	M24x2	53	48,0	0,56
CSTFE930DO	30	110	22	73	19	146,5	M30x2	65	62,0	0,89
CSTFE935DO	35	140	25	82	21	181,0	M36x3	82	80,0	1,40
CSTFE940DO	40	150	28	92	23	196,0	M39x3	86	100,0	1,80
CSTFE945DO	45	163	32	102	27	218,0	M42x3	94	127,0	2,60
CSTFE950DO	50	185	35	112	30	241,0	M45x3	106	156,0	3,40
CSTFE960DO	60	210	44	135	38	277,5	M52x3	115	245,0	5,90
CSTFE970DO	70	235	49	160	42	315,0	M56x4	125	315,0	8,20
CSTFE980DO	80	270	55	180	47	360,0	M64x4	140	400,0	13,10