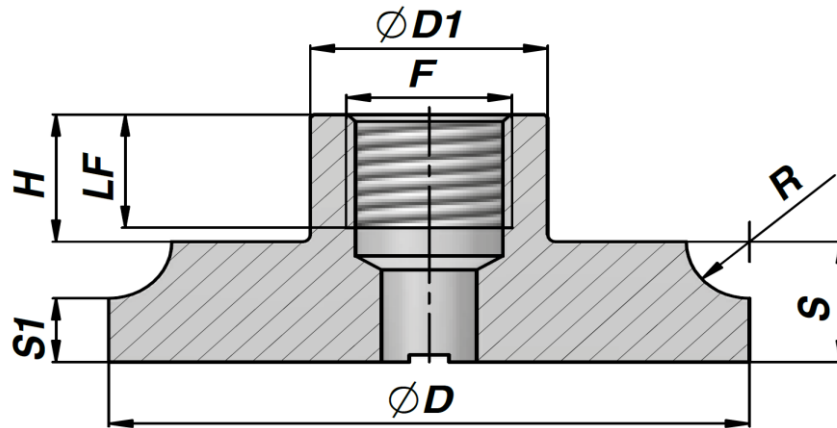


CHMSCFI

Inwendige bodem met olieaansluiting



Artikelnummer	$\varnothing AL$	$\varnothing D$	S	S1	R	F BSP	LF	H	$\varnothing D1$	Kg
CHMSCFI040	40	41	12	7,0	5,0	3/8"	15	17	25	0,14
CHMSCFI050	50	51	12	5,0	7,0	3/8"	15	17	25	0,18
CHMSCFI060	60	61	15	4,0	8,0	3/8"	15	17	25	0,31
CHMSCFI070	70	71	15	7,5	7,5	1/2"	16	18	30	0,44
CHMSCFI080	80	81	17	9,0	8,0	1/2"	16	18	30	0,64
CHMSCFI090	90	91	17	9,0	8,0	1/2"	16	18	30	0,80
CHMSCFI100	100	101	20	10,0	10,0	1/2"	16	18	30	1,11