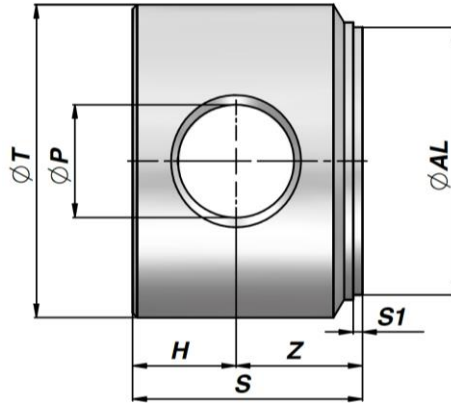


CF0

Cilinderbodem met gat



Artikelnummer	Ø AL	Ø T	Ø P	Z	H	S	S1	Kg
CF04005016	40	50	16,20	20,0	15,0	35	2	0,42
CF05006020	50	60	20,25	25,0	20,0	45	2	0,80
CF06007025	60	70	25,25	27,5	22,5	50	2	1,20
CF07008025	70	80	25,25	27,5	22,5	50	2	1,60
CF08009530	80	95	30,25	35,0	25,0	60	2	2,70
CF10011535	100	115	35,25	40,0	30,0	70	2	4,70