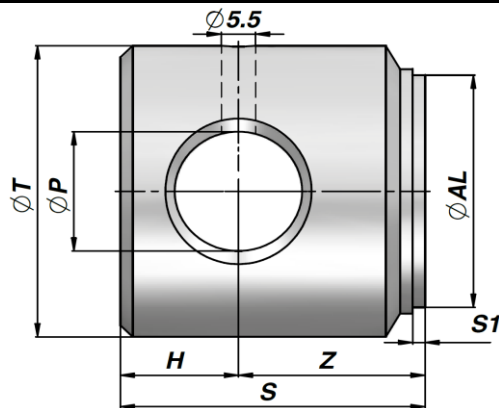


CFHR

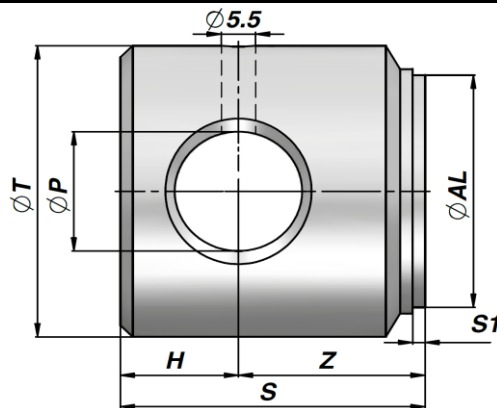
## Cilinderbodem met gat



Artikelnummer	Ø AL	Ø T	Ø P	Z	H	S	S1	Kg
CFHR035025	25	35	12,10	18	12	30	2	0,18
CFHR030014030	30	40	14,10	16	14	30	2	0,23
CFHR040032	32	40	16,20	23	17	32	2	0,32
CFHR035016035	35	45	16,10	20	15	35	2	0,34
CFHR040020040	40	50	20,25	22	18	40	2	0,50
CFHR050040	40	50	20,50	30	19	49	2	0,60
CFHR045020045	45	55	20,25	25	20	45	2	0,67
CFHR050025049	50	60	25,25	27	22	49	2	0,80
CFHR050023050	50	60	23,10	28	22	50	2	0,90
CFHR060050	50	60	25,50	45	25	70	2	1,28
CFHR055025050	55	65	25,25	28	22	50	2	1,01
CFHR060025047	60	70	25,25	25	22	47	2	1,10
CFHR070060	60	70	25,50	27	25	52	2	1,25
CFHR060030047	60	70	30,25	25	22	47	2	0,99
CFHR063025053	63	73	25,25	30	23	53	2	1,41
CFHR063030053	63	73	30,25	30	23	53	2	1,29
CFHR065025050	65	75	25,25	28	22	50	2	1,40
CFHR070030063	70	80	30,25	35	28	63	2	2,00
CFHR080070	70	80	30,50	37	25	62	2	1,94
CFHR075030060	75	80	30,25	35	25	60	2	2,41

CFHR

## Cilinderbodem met gat



Artikelnummer	Ø AL	Ø T	Ø P	Z	H	S	S1	Kg
CFHR080030060	80	90	30,25	32	28	60	2	2,40
CFHR090080	80	90	30,50	37	25	62	2	2,52
CFHR080040060	80	90	40,25	32	28	60	2	2,07
CFHR085035063	85	100	35,25	35	28	63	2	3,03
CFHR090035063	90	105	35,25	35	28	63	2	3,38
CFHR090040063	90	105	40,25	35	28	63	2	3,15
CFHR100030063	100	115	30,25	35	28	63	2	4,40
CFHR115100	100	115	30,50	36	34	70	2	4,90
CFHR100040063	100	115	40,25	35	28	63	2	3,89
CFHR110040075	110	125	40,25	40	35	75	2	5,87
CFHR110050075	110	125	50,50	40	35	75	2	5,17
CFHR120050095	120	140	50,50	50	45	95	2	9,13
CFHR120060095	120	140	60,50	50	45	95	2	8,18
CFHR125050095	125	145	50,50	50	45	95	2	9,85
CFHR125060095	125	145	60,50	50	45	95	2	8,90
CFHR140060110	140	160	60,50	60	50	110	2	13,58
CFHR140070110	140	160	70,50	60	50	110	2	12,34
CFHR150070130	150	170	70,50	75	55	130	2	17,81
CFHR160080140	160	180	80,50	75	65	140	2	20,68