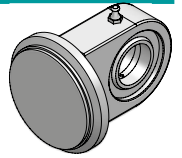
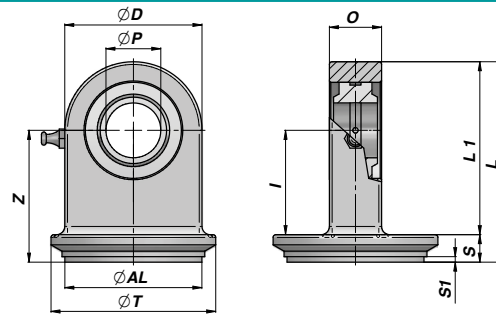


**FONDELLO CON TERMINALE A SNODO RILUBRIFICABILE**  
**END PLUG WITH BALL-JOINT END WITH GREASE NIPPLE**
**CSTSNF**


Codice Code	ØAL	ØT	ØP	Z	ØD	O	I	S	S1	L	L1	kg
CSTSNF020040	40	50	20	48	50	19	38	10	2	73.0	63.0	0,48
CSTSNF020045	45	55	20	48	50	19	38	10	2	73.0	63.0	0,50
CSTSNF020050	50	60	20	48	50	19	38	10	2	73.0	63.0	0,54
CSTSNF025055	55	65	25	57	55	23	45	12	2	84.5	72.5	0,81
CSTSNF025060	60	70	25	57	55	23	45	12	2	84.5	72.5	0,86
CSTSNF025063	63	73	25	57	55	23	45	12	2	84.5	72.5	0,89
CSTSNF030065	65	75	30	63	65	28	51	12	2	95.5	83.5	1,24
CSTSNF030066	65	80	30	63	65	28	51	12	2	95.5	83.5	1,27
CSTSNF030070	70	80	30	63	65	28	51	12	2	95.5	83.5	1,30
CSTSNF030075	75	90	30	63	65	28	51	12	2	95.5	83.5	1,38
CSTSNF030080	80	92	30	63	65	28	51	12	2	95.5	83.5	1,43
CSTSNF030081	80	95	30	63	65	28	51	12	2	95.5	83.5	1,44

MATERIALE : ACCIAIO St 52.3

MATERIAL : STEEL St 52.3