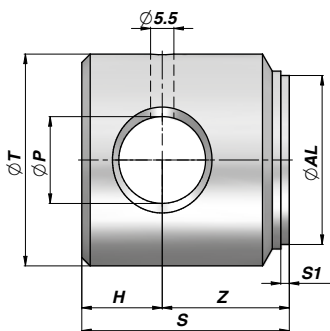
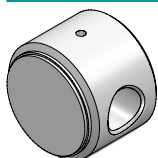


CFHR



Codice Code	ØAL	ØT	ØP	Z	H	S	S1	kg	Confezione Box	Pz Pcs
CFHR035025	25	35	12.10	18	12	30	2	0,18	Z00CFHR035025	100
CFHR030014030 NEW!	30	40	14.10	16	14	30	2	0,23	Z00CFHR030014030	100
CFHR040032	32	40	16.20	23	17	40	2	0,32	Z50CFHR040032	50
CFHR035016035	35	45	16.10	20	15	35	2	0,34	Z50CFHR035016035	50
CFHR040020040	40	50	20.25	22	18	40	2	0,50	Z25CFHR040020040	25
CFHR050040	40	50	20.50	30	19	49	2	0,60	Z25CFHR050040	25
CFHR045020045	45	55	20.25	25	20	45	2	0,67	Z25CFHR045020045	25
CFHR050025049	50	60	25.25	27	22	49	2	0,80	Z12CFHR050025049	12
CFHR050023050 NEW!	50	60	23.10	28	22	50	2	0,90	Z25CFHR050023050	25
CFHR060050	50	60	25.50	45	25	70	2	1,28	Z12CFHR060050	12
CFHR055025050	55	65	25.25	28	22	50	2	1,01	Z20CFHR055025050	20
CFHR060025047	60	70	25.25	25	22	47	2	1,10	Z12CFHR060025047	12
CFHR070060	60	70	25.50	27	25	52	2	1,25	Z12CFHR070060	12
CFHR060030047	60	70	30.25	25	22	47	2	0,99	Z20CFHR060030047	20
CFHR063025053	63	73	25.25	30	23	53	2	1,41	Z10CFHR063025053	10
CFHR063030053	63	73	30.25	30	23	53	2	1,29	Z10CFHR063030053	10
CFHR065025050	65	75	25.25	28	22	50	2	1,40	Z10CFHR065025050	10
CFHR070030063	70	80	30.25	35	28	63	2	2,00	Z10CFHR070030063	10
CFHR080070	70	80	30.50	37	25	62	2	1,94	Z10CFHR080070	10
CFHR075030060	75	90	30.25	35	25	60	2	2,41	Z05CFHR075030060	5
CFHR080030060	80	90	30.25	32	28	60	2	2,40	Z05CFHR080030060	5
CFHR090080	80	90	30.50	37	25	62	2	2,52	Z05CFHR090080	5
CFHR080040060	80	90	40.25	32	28	60	2	2,07	Z05CFHR080040060	5
CFHR085035063	85	100	35.25	35	28	63	2	3,03	Z05CFHR085035063	5
CFHR090035063	90	105	35.25	35	28	63	2	3,38	Z05CFHR090035063	5
CFHR090040063	90	105	40.25	35	28	63	2	3,15	Z05CFHR090040063	5
CFHR100030063	100	115	30.25	35	28	63	2	4,40	Z05CFHR100030063	5
CFHR115100	100	115	30.50	36	34	70	2	4,90	Z05CFHR115100	5
CFHR100040063	100	115	40.25	35	28	63	2	3,89	Z05CFHR100040063	5
CFHR110040075	110	125	40.25	40	35	75	2	5,87	Z03CFHR110040075	3
CFHR110050075	110	125	50.50	40	35	75	2	5,17	Z03CFHR110050075	3
CFHR120050095	120	140	50.50	50	45	95	2	9,13	Z02CFHR120050095	2
CFHR120060095	120	140	60.50	50	45	95	2	8,18	Z02CFHR120060095	2
CFHR125050095	125	145	50.50	50	45	95	2	9,85	Z02CFHR125050095	2
CFHR125060095	125	145	60.50	50	45	95	2	8,90	Z02CFHR125060095	2
CFHR140060110	140	160	60.50	60	50	110	2	13,58		
CFHR140070110	140	160	70.50	60	50	110	2	12,34		
CFHR150070130	150	170	70.50	75	55	130	2	17,81		
CFHR160080140	160	180	80.50	75	65	140	2	20,68		

MATERIALE : ACCIAIO S355JO (Fe510C) - S355JR (A105)
 MATERIAL : STEEL S355JO (Fe510C) - S355JR (A105)

A RICHIESTA : INGRASSATORE VEDI PAGINA 103
 ON REQUEST : GREASE NIPPLE SEE PAGE 103