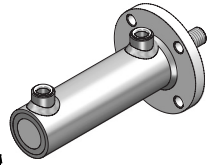
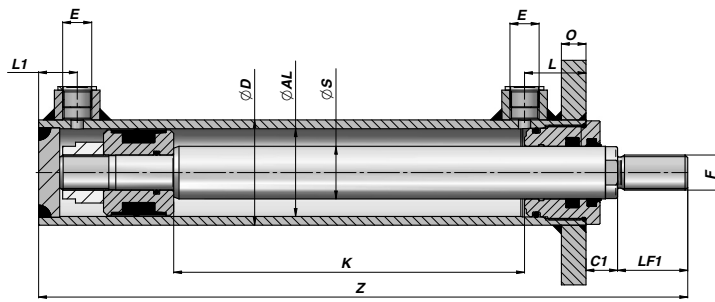
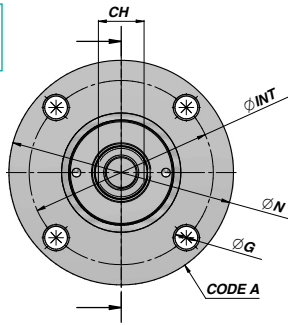


M250



Codice Code Bestell-Nr.	K	Z	kg	E BSP	L	L1	F	LF1	CH	C1	ØN	ØINT	ØG	O	Code A
ØD 50 ØAL 40 ØS 20															
HMF1200100	100	250	3,00												
HMF1200200	200	350	3,80												
HMF1200300	300	450	4,60	1/4"	32	25	M16x1,5	30	18	18	109	87	Ø 11 x 4	12	CFL0050109
HMF1200400	400	550	5,40												
HMF1200500	500	650	6,20												
ØD 60 ØAL 50 ØS 30															
HMF2300100	100	270	4,60												
HMF2300200	200	370	5,80												
HMF2300300	300	470	7,00	3/8"	35	25	M20x1,5	40	26	18	128	105	Ø 13 x 4	14	CFL0060128
HMF2300400	400	570	8,20												
HMF2300500	500	670	9,40												
ØD 70 ØAL 60 ØS 35															
HMF3350100	100	300	6,90												
HMF3350200	200	400	8,40												
HMF3350300	300	500	9,90	3/8"	40	30	M27x2	50	32	20	142	117	Ø 13 x 4	16	CFL0070142
HMF3350400	400	600	11,40												
HMF3350500	500	700	12,90												
ØD 80 ØAL 70 ØS 40															
HMF4400100	100	312	8,63												
HMF4400200	200	412	10,53												
HMF4400300	300	512	12,76	3/8"	40	30	M30x2	60	36	22	162	127	Ø 15 x 4	16	CFL0080162
HMF4400400	400	612	15,00												
HMF4400500	500	712	17,20												
ØD 95 ØAL 80 ØS 50															
HMF5500100	100	345	13,70												
HMF5500200	200	445	16,80												
HMF5500300	300	545	19,90	1/2"	50	40	M36x2	70	45	25	181	149	Ø 17 x 6	18	CFL0095181
HMF5500400	400	645	23,00												
HMF5500500	500	745	26,10												
ØD 115 ØAL 100 ØS 50															
HMF6500100	100	375	20,20												
HMF6500200	200	475	25,80												
HMF6500300	300	575	27,20	1/2"	70	40	M36x2	70	45	27	194	162	Ø 17 x 6	24	CFL0115194
HMF6500400	400	675	30,80												
HMF6500500	500	775	34,40												

MATERIALE - MATERIAL:

TUBO - TUBE - ROHR: ACCIAIO - STEEL - STAHL St 52.3 DIN 2393 ISO H9

STELO - ROD - KOLBENSTANGE:

ACCIAIO - STEEL - STAHL UNI C45 SAE 1045 - CROMO - CHROME - CHROM: 25 MICRON ±5 Rating 9/120 h ISO 10289 - 1999/ISO 9227-NSS