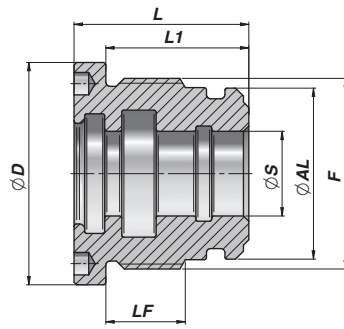
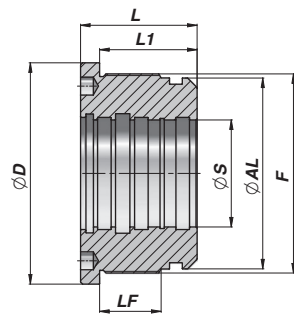


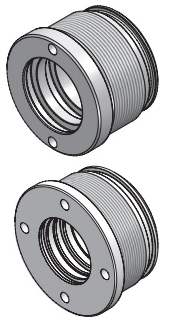
M250



CG



CG30



Codice Code Bestell-Nr.	ØAL	ØS	ØD	F	LF	L	L1	kg	Confezione Box Verpackung	Pz Pcs Stk	Set guarnizioni Seal kits Dichtsätze
CG09508045	80	45	94	M85x2	33	60	50	1,58	Z10CG09508045	10	GKCG080045
CG09508050	80	50	"	"	"	"	"	1,42	Z10CG09508050	10	GKCG080050
CG09508055	80	55	"	"	"	"	"	1,40	Z10CG09508055	10	GKCG080055
CG09508060	80	60	"	"	"	"	"	1,38	Z10CG09508060	10	GKCG080060
CG10008535	85	35	99	M90x2	33	60	50	2,15	Z10CG10008535	10	GKCG085035
CG10008540	85	40	"	"	"	"	"	2,00	Z10CG10008540	10	GKCG085040
CG10008545	85	45	"	"	"	"	"	1,85	Z10CG10008545	10	GKCG085045
CG10008550	85	50	"	"	"	"	"	1,67	Z10CG10008550	10	GKCG085050
CG10509040	90	40	104	M95x2	33	60	50	2,31	Z05CG10509040	5	GKCG090040
CG10509045	90	45	"	"	"	"	"	2,16	Z05CG10509045	5	GKCG090045
CG10509050	90	50	"	"	"	"	"	1,99	Z05CG10509050	5	GKCG090050
CG10509060	90	60	"	"	"	"	"	1,57	Z05CG10509060	5	GKCG090060
CG11510040	100	40	114	M105x2	51	82	70	4,14	Z05CG11510040	5	GKCG100040
NEW! CGMM114100040	100	40	"	"	30	65	55	3,20	Z05CGMM114100040	5	GKCGMM100040
CG11510045	100	45	"	"	51	82	70	3,94	Z05CG11510045	5	GKCG100045
CG11510050	100	50	"	"	"	"	"	3,71	Z05CG11510050	5	GKCG100050
NEW! CGMM114100050	100	50	"	"	30	65	55	2,90	Z05CGMM114100050	5	GKCGMM100050
CG11510055	100	55	"	"	51	82	70	3,68	Z05CG11510055	5	GKCG100055
CG11510060	100	60	"	"	"	"	"	3,13	Z05CG11510060	5	GKCG100060
NEW! CGMM114100060	100	60	"	"	30	65	55	2,40	Z05CGMM114100060	5	GKCGMM100060
NEW! CG11510063	100	63	"	"	51	82	70	3,00	Z05CG11510063	5	GKCG100063
NEW! CGMM114100063	100	63	"	"	30	65	55	2,30	Z05CGMM114100063	5	GKCGMM100063
CG11510070	100	70	"	"	51	82	70	3,08	Z05CG11510070	5	GKCG100070
NEW! CGMM114100070	100	70	"	"	30	65	55	1,90	Z05CGMM114100070	5	GKCGMM100070
CG12511045	110	45	124	M115x2	41	72	60	4,60			GKCG110045
CG12511050	110	50	"	"	"	"	"	4,40			GKCG110050
CG12511060	110	60	124	M115x2	51	82	70	4,90			GKCG110060
CG12511070	110	70	"	"	"	"	"	4,70			GKCG110070
CG14012050	120	50	139	M125x2	49	82	70	6,37			GKCG120050
CG14012060	120	60	"	"	"	"	"	5,30			GKCG120060
CG14012070	120	70	"	"	"	"	"	4,57			GKCG120070
NEW! CG14012080	120	80	"	"	"	"	"	4,00			GKCG120080
CG14512560	125	60	144	M130x2	59	92	80	6,63			GKCG125060
CG14512570	125	70	"	"	"	"	"	5,83			GKCG125070
CG14512580	125	80	"	"	"	"	"	5,20			GKCG125080
NEW! CG14512590	125	90	"	"	"	"	"	4,20			GKCG125090
CG16014070	140	70	159	M145x2	59	92	80	9,12			GKCG140070
CG16014080	140	80	"	"	"	"	"	8,40			GKCG140080
CG17015070	150	70	169	M155x2	69	102	90	10,58			GKCG150070
CG17015080	150	80	"	"	"	"	"	9,75			GKCG150080
CG18016080	160	80	179	M165x2	69	102	90	13,10			GKCG160080
CG18016090	160	90	"	"	"	"	"	12,07			GKCG160090
CG30180100	180	100	210	M188x2,5	58	110	92	15,82			GKCG3180100
CG30180120	180	120	"	"	"	"	"	12,65			GKCG3180120
CG30200100	200	100	218	M208x2,5	58	110	92	20,59			GKCG3200100
CG30200120	200	120	"	"	"	"	"	17,40			GKCG3200120
CG30250120	250	120	268	M258x2,5	80	135	117	40,00			GKCG3250120
CG30250150	250	150	"	"	"	"	"	33,00			GKCG3250150

MATERIALE - MATERIAL:
GHISA OLEODINAMICA - HYDRAULIC CAST IRON - HYDRAULIKGUSS UNI 5007-G25
* ALLUMINIO - ALUMINIUM UNI 2011-11S

La versione a 2 fori frontali è disponibile da ØAL.30 a ØAL.100 fino ad esaurimento scorte.
The version with 2 front holes is available from ØAL.30 to ØAL.100 till stock lasts.
Die Ausführung mit 2 Bohrungen vorne ist vom ØAL.30 bis ØAL.100 solange der Vorrat reicht verfügbar.

GUARNIZIONI: VEDI PAGINA 90-91
SEALS: SEE PAGE 90-91
DICHTUNGEN: SIEHE SEITE 90-91

CGMM: NON CONFORME PER "STL" STANDARD
CGMM: NOT SUITABLE FOR STANDARD "STL"
CGMM: FÜR STANDARD "STL" NICHT GEEIGNET