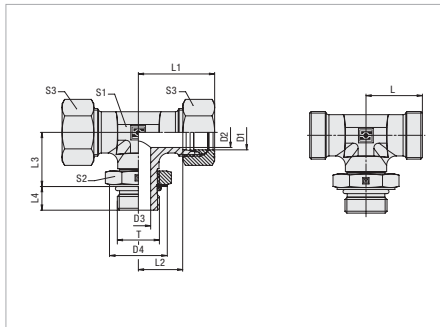


**Adjustable Male Stud Branch Tee with Lock Nut
Type FI-TEE-...-U • Series L / S**

Type FI-TEE-...-U

UN/UNF Thread
O-Ring

Male stud according to ISO 6149-2/-3
Port according to ISO 6149-1



Male threaded studs were designed for female threaded ports in components made of steel. For applications with components made of softer mating materials (e.g. Aluminium), the use of connectors with additionally rolled male threads is recommended.

Please contact STAUFF prior to the assembly for further information.

Connecting Parts



Cutting Ring
Type **FI-DS**



Soft-Sealing Cutting Ring
Type **FI-WDDS**



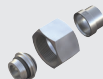
Support Sleeve
Type **FI-VH**



STAUFF Form Ring
Type **FI-AR**



Union Nut
Type **FI-M**



37° Flared Tube Fitting Set
Type **FI-AB**

Spare Parts / Accessories



O-Ring
Type **O-RING**