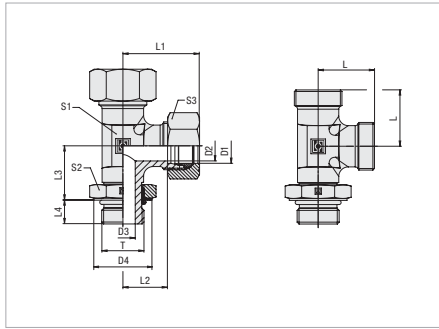


**Adjustable Male Stud Barrel Tee with Lock Nut  
Type FI-LEE-...-M-OR • Series L / S**

**Type FI-LEE-...-M-OR**

Metric Parallel Thread  
O-Ring

Male stud according to ISO 6149-2/-3  
Port according to ISO 6149-1



Male threaded studs were designed for female threaded ports in components made of steel. For applications with components made of softer mating materials (e.g. Aluminium), the use of connectors with additionally rolled male threads is recommended.

Please contact STAUFF prior to the assembly for further information.

**Connecting Parts**



Cutting Ring  
Type **FI-DS**



Soft-Sealing Cutting Ring  
Type **FI-WDDS**



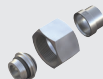
Support Sleeve  
Type **FI-VH**



STAUFF Form Ring  
Type **FI-AR**



Union Nut  
Type **FI-M**



37° Flared Tube Fitting Set  
Type **FI-AB**

**Spare Parts / Accessories**



O-Ring  
Type **O-RING**