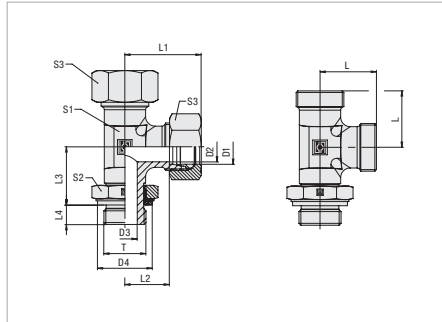


**Adjustable Male Stud Barrel Tee with Lock Nut**  
**Type FI-LEE-...-R-OK • Series L / S**

**Type FI-LEE-...-R-OK**

Whitworth Parallel Pipe Thread (BSPP)  
 O-Ring and Retaining Ring (Small)

Male stud acc. to ISO 1179-3 (Type H)  
 Port acc. to ISO 1179-1



Male threaded studs were designed for female threaded ports in components made of steel. For applications with components made of softer mating materials (e.g. Aluminium), the use of connectors with additionally rolled male threads is recommended.

Please contact STAUFF prior to the assembly for further information.

**Connecting Parts**



Cutting Ring  
 Type **FI-DS**



Soft-Sealing Cutting Ring  
 Type **FI-WDDS**



Support Sleeve  
 Type **FI-VH**



STAUFF Form Ring  
 Type **FI-AR**



Union Nut  
 Type **FI-M**



37° Flared Tube Fitting Set  
 Type **FI-AB**

**Spare Parts / Accessories**



O-Ring  
 Type **O-RING**



Retaining Ring (Small)  
 Type **FI-KR**