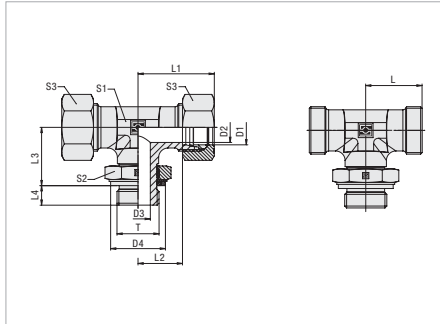


Adjustable Male Stud Branch Tee with Lock Nut
Type FI-TEE-...-R-OK • Series L / S

Type FI-TEE-...-R-OK

Whitworth Parallel Pipe Thread (BSPP)
 O-Ring and Retaining Ring (Small)

Male stud acc. to ISO 1179-3 (Type H)
 Port acc. to ISO 1179-1



Male threaded studs were designed for female threaded ports in components made of steel. For applications with components made of softer mating materials (e.g. Aluminium), the use of connectors with additionally rolled male threads is recommended.

Please contact STAUFF prior to the assembly for further information.

Connecting Parts



Cutting Ring
 Type **FI-DS**



Soft-Sealing Cutting Ring
 Type **FI-WDDS**



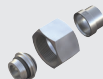
Support Sleeve
 Type **FI-VH**



STAUFF Form Ring
 Type **FI-AR**



Union Nut
 Type **FI-M**



37° Flared Tube Fitting Set
 Type **FI-AB**

Spare Parts / Accessories



O-Ring
 Type **O-RING**



Retaining Ring (Small)
 Type **FI-KR**