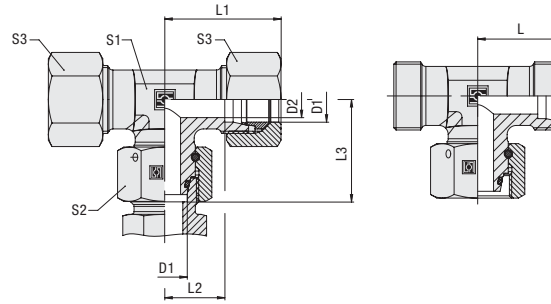


Adjustable Branch Tee with 24° Taper / O-Ring (DKO)
Type FI-ETD ▪ Series L / S



Ordering Codes

***FI-ETD*-10*L*-B*-W3*-DKO*-MS**

- * Adjustable Branch Tee with 24° Taper / O-Ring (DKO) **FI-ETD**
- * Outside Tube Diameter D1 (in mm) **-10**
- * Series **L** (Light Series)
S (Heavy Series)
- * Seal Material **-B** (NBR (Buna-N®))
-V (FKM (Viton®))
-E (EPDM)
- * Material Code **-W3** (Steel, zinc/nickel-plated)
- Please contact STAUFF for alternative materials and surface finishings.
- * Assembling / Kitting **-DKO** (Fitting body supplied with swivel nut and O-ring)
-MS (Fitting body supplied with cutting ring and union nut)
-MSV (Fitting body supplied with soft-sealing cutting ring and union nut)

Connecting Parts

- Cutting Ring
Type **FI-DS**
- Soft-Sealing Cutting Ring
Type **FI-WDDS**
- Support Sleeve
Type **FI-VH**
- STAUFF Form Ring
Type **FI-AR**
- Union Nut
Type **FI-M**
- 37° Flared Tube Fitting Set
Type **FI-AB**

Spare Parts / Accessories

- O-Ring
Type **O-RING**

Series	Tube OD (mm/in)	PN (bar/psi)	Dimensions (mm/in)							Weight (kg/lbs) ca. per 100 ²	Ordering Codes ³	
			D1	D2	L	L1 ¹	L2	L3	S1			S2
L	6	500	4	19	27	12	26	12	14	14	3,02	FI-ETD-06L-B-W3-DKO
	.24	7250	.16	.75	1.06	.47	1.02	.47	.55	.55	6,64	
	8	500	6	21	29	14	27,5	12	17	17	4,82	FI-ETD-08L-B-W3-DKO
	.31	7250	.24	.83	1.14	.55	1.08	.47	.67	.67	10,61	
	10	500	8	22	30	15	29	14	19	19	6,27	FI-ETD-10L-B-W3-DKO
	.39	7250	.31	.87	1.18	.59	1.14	.55	.75	.75	13,79	
	12	400	10	24	32	17	29,5	17	22	22	8,73	FI-ETD-12L-B-W3-DKO
	.47	5800	.39	.94	1.26	.67	1.16	.67	.87	.87	19,21	
	15	400	12	28	36	21	32,5	19	27	27	14,55	FI-ETD-15L-B-W3-DKO
	.59	5800	.47	1.10	1.42	.83	1.28	.75	1.06	1.06	32,01	
	18	400	15	31	40	23,5	35,5	24	32	32	20,89	FI-ETD-18L-B-W3-DKO
	.71	5800	.59	1.22	1.57	.93	1.40	.94	1.26	1.26	45,95	
	22	400	19	35	44	27,5	38,5	27	36	36	28,27	FI-ETD-22L-B-W3-DKO
	.87	5800	.75	1.38	1.73	1.08	1.52	1.06	1.42	1.42	62,20	
	28	250	24	38	47	30,5	41,5	36	41	41	39,85	FI-ETD-28L-B-W3-DKO
	1.10	3625	.94	1.50	1.85	1.20	1.63	1.42	1.61	1.61	87,67	
	35	250	30	45	56	34,5	51	41	50	50	64,20	FI-ETD-35L-B-W3-DKO
	1.38	3625	1.18	1.77	2.20	1.36	2.01	1.61	1.97	1.97	141,24	
	42	250	36	51	63	40	56	50	60	60	94,90	FI-ETD-42L-B-W3-DKO
	1.65	3625	1.42	2.01	2.48	1.57	2.20	1.97	2.36	2.36	208,78	
S	6	800	4	23	31	16	27	12	17	17	5,99	FI-ETD-06S-B-W3-DKO
	.24	11600	.16	.91	1.22	.63	1.06	.47	.67	.67	13,18	
	8	800	5	24	32	17	27,5	14	19	19	7,80	FI-ETD-08S-B-W3-DKO
	.31	11600	.20	.94	1.26	.67	1.08	.55	.75	.75	17,15	
	10	800	7	25	34	17,5	30	17	22	22	10,60	FI-ETD-10S-B-W3-DKO
	.39	11600	.28	.98	1.34	.69	1.18	.67	.87	.87	23,32	
	12	630	8	29	38	21,5	31	17	24	24	13,63	FI-ETD-12S-B-W3-DKO
	.47	9135	.31	1.14	1.50	.85	1.22	.67	.94	.94	29,98	
	14	630	10	30	40	22	35	19	27	27	17,37	FI-ETD-14S-B-W3-DKO
	.55	9135	.39	1.18	1.57	.87	1.38	.75	1.06	1.06	38,21	
	16	630	12	33	43	24,5	36,5	24	30	30	22,95	FI-ETD-16S-B-W3-DKO
	.63	9135	.47	1.30	1.69	.96	1.44	.94	1.18	1.18	50,49	
	20	400	16	37	48	26,5	44,5	27	36	36	35,51	FI-ETD-20S-B-W3-DKO
	.79	5800	.63	1.46	1.89	1.04	1.75	1.06	1.42	1.42	78,13	
	25	400	20	42	54	30	50	36	46	46	62,40	FI-ETD-25S-B-W3-DKO
	.98	5800	.79	1.65	2.13	1.18	1.97	1.42	1.81	1.81	137,28	
	30	400	25	49	62	35,5	55	41	50	50	85,60	FI-ETD-30S-B-W3-DKO
	1.18	5800	.98	1.93	2.44	1.40	2.17	1.61	1.97	1.97	188,32	
38	400	32	57	72	41	63	50	60	60	128,10	FI-ETD-38S-B-W3-DKO	
1.50	5800	1.26	2.24	2.83	1.61	2.48	1.97	2.36	2.36	281,82		

¹ Approximate dimension in assembled condition.
² Weight excluding cutting ring and union nut.
³ Standard scope of delivery: Fitting body only.



Typical application with a Straight Male Stud Fitting FI-GE-...

Standard seal material is NBR (Buna-N®).