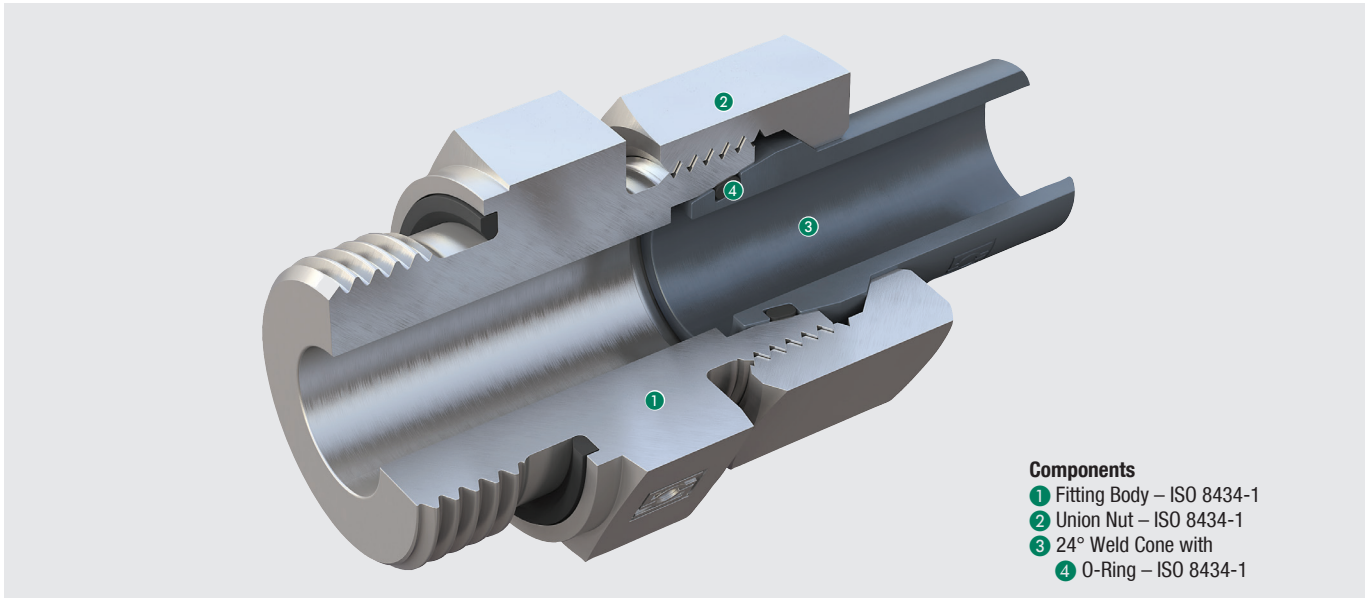


## 24° Weld Cones with O-Ring



- Components**
- ① Fitting Body – ISO 8434-1
  - ② Union Nut – ISO 8434-1
  - ③ 24° Weld Cone with
  - ④ O-Ring – ISO 8434-1

STAUFF Connect 24° Weld Cones with O-Ring represent a supplement to the usual range of tube fittings. However, they are increasingly perceived as a special solution due to the complex tube preparation, assembly, finishing and testing, as are all other types of welded connectors.

STAUFF Connect 24° Weld Cones with O-Ring are directly welded to the tube end.

With regards to their dimensioning and general design, they fully comply with the latest versions of the ISO 8434-1 standard.

